

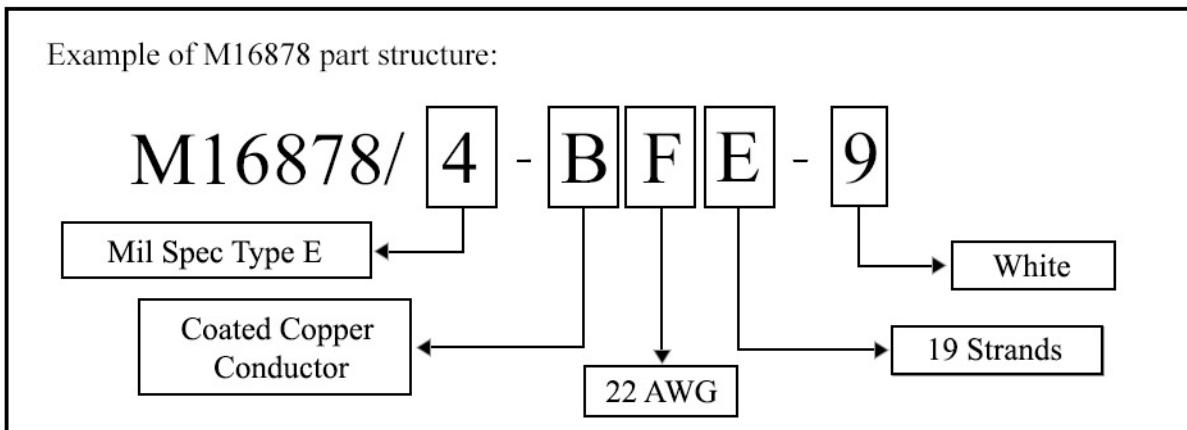


M16878

WireMasters, an industry leader in Mil-Spec wire and cable, carries a wide selection of M16878 wire. Below is a list of our most common M16878 products, some of their properties and the structure of M16878 part numbers. These high performance wires meet requirements for small dimensions, high temperature resistance, low weight and low flame propagation. Typical uses for the M16878 wire include harness applications for the military or aerospace industries, and internal wiring of electronic equipment.

Mil Spec	Insulation	Voltage	Temp	AWG Range	Type
MIL-DTL-16878/1	PVC	600V	105°C	32 thru 14	B
MIL-DTL-16878/2	PVC	100V	105°C	26 thru 12	C
MIL-DTL-16878/3	PVC	3000V	105°C	24 thru 1/0	D
NEMA HP3 (M16878/4)	Extruded PTFE	600V	200°C	32 thru 10	E
NEMA HP3 (M16878/5)	Extruded PTFE	1000V	200°C	32 thru 4/0	EE
NEMA HP3 (M16878/6)	Extruded PTFE	250V	200°C	32 thru 20	ET
NEMA HP4 (M16878/11)	Extruded FEP	600V	200°C	32 thru 8	K
NEMA HP4 (M16878/12)	Extruded FEP	1000V	200°C	32 thru 4/0	KK
NEMA HP4 (M16878/13)	Extruded FEP	250V	200°C	32 thru 20	KT
NEMA HP5 (M16878/14)	XLPE	600V	125°C	32 thru 14	L
NEMA HP5 (M16878/15)	XLPE	1000V	125°C	26 thru 12	LL
NEMA HP5 (M16878/16)	XLPE	3000V	125°C	26 thru 4/0	LX
MIL-DTL-16878/17	PVC Polyamide	600V	105°C	32 thru 14	BN
NEMA HP3 (M16878/25)	Extruded PTFE	600V	260°C	32 thru 10	E
NEMA HP3 (M16878/27)	Extruded PTFE	1000V	260°C	32 thru 4/0	EE
MIL-DTL-16878/29	Silicone Rubber	600V	150°C	24 thru 10	F

Example of M16878 part structure:



Conductor Type

A	B	C	D
Bare Copper	Coated Copper	Coated Copper Covered Steel	Coated High Strength Copper Alloy

AWG Size

A	B	C	D	E	F	G	H	J	K	L	M	N	P	R	S	T	U	W	Y	Z
32	30	28	26	24	22	20	18	16	14	12	10	8	6	4	2	1	1/0	2/0	3/0	4/0

Stranding

A	B	C	D	E	F	G	H	J	K	L	M	N	P	R	S	T	V	W
Solid	7	10	16	19	26	37	41	65	105	133	168	259	665	817	1045	1330	1665	2109

Color Code

0	1	2	3	4	5	6	7	8	9
Black	Brown	Red	Orange	Yellow	Green	Blue	Violet	Gray	White